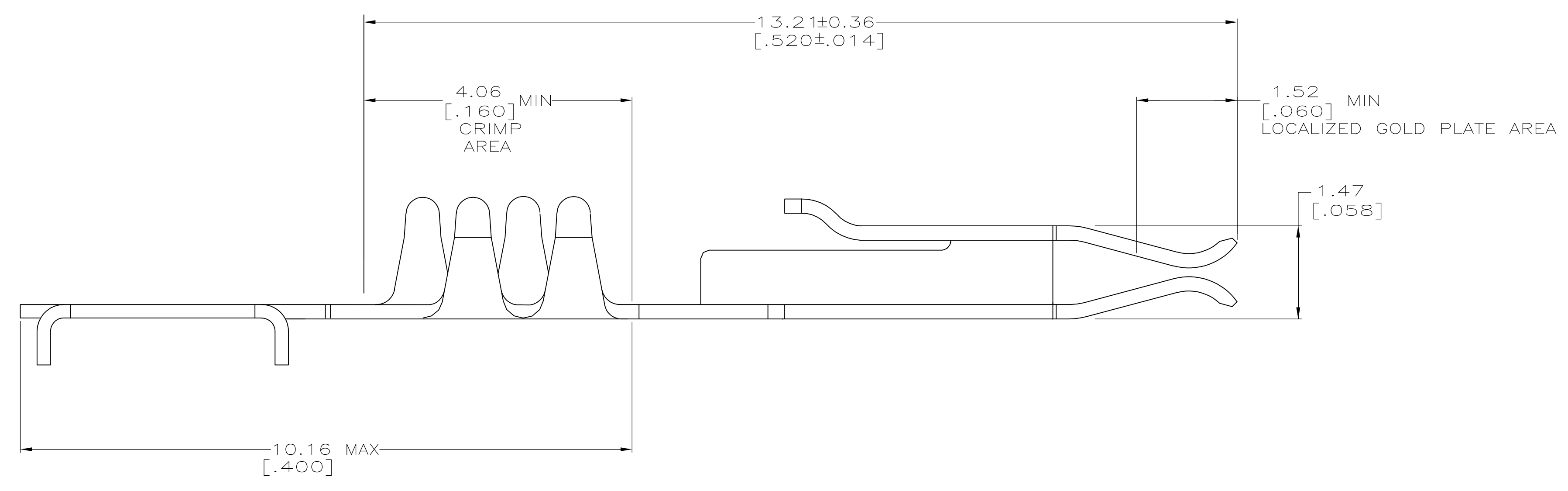
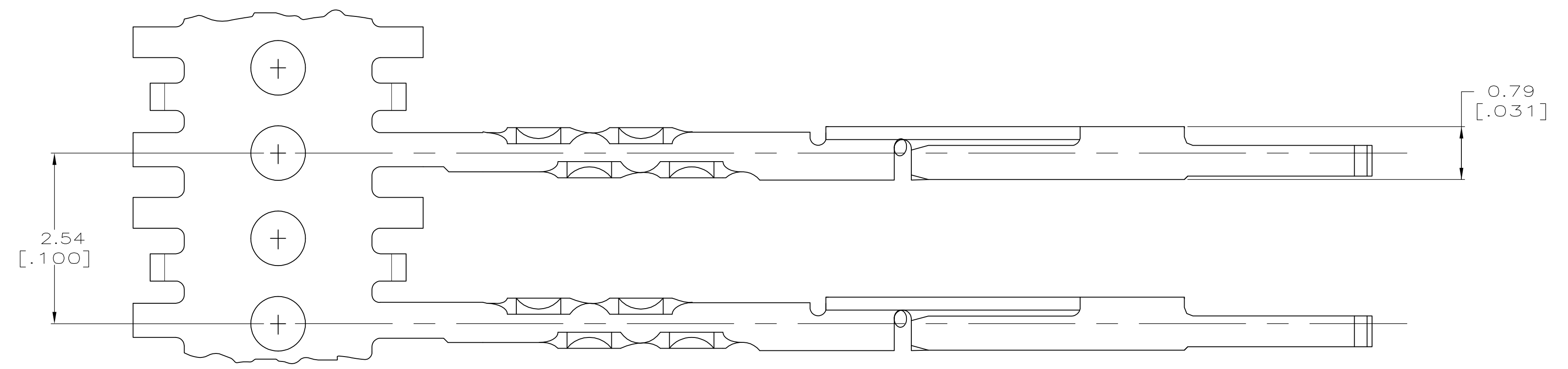
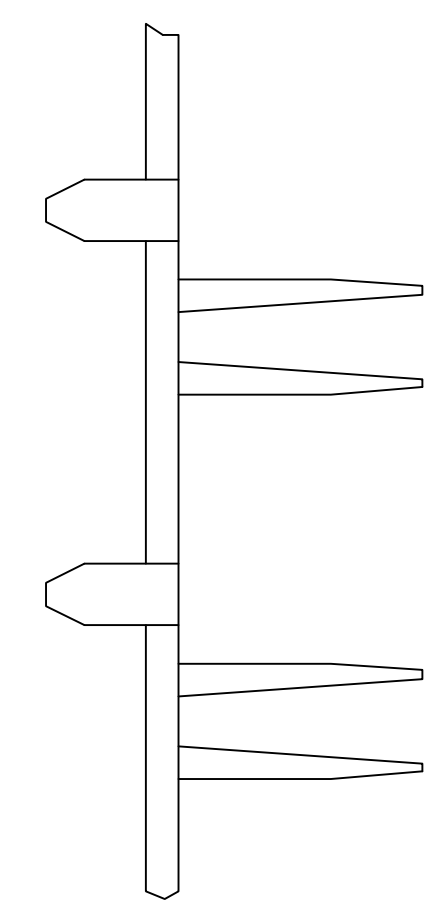


- ⚠ 0.76 μm [.000030] MIN GOLD ON LOCALIZED GOLD PLATE AREA, 2.54 μm [.000100] MIN TIN-LEAD ON CRIMP AREA BOTH OVER, 1.27 μm [.000050] MIN NICKEL ON ENTIRE CONTACT.
- ⚠ 0.38 μm [.000015] MIN GOLD ON LOCALIZED GOLD PLATE AREA, 2.54 μm [.000100] MIN TIN-LEAD ON CRIMP AREA, BOTH OVER 1.27 μm [.000050] MIN NICKEL ON ENTIRE CONTACT.
- 3. ACCEPTS 0.38 \pm 0.03 [.015 \pm .001] SQUARE POST, 3.18-8.89 [.125-.350] LONG.
- ⚠ 0.76 μm [.000030] MIN GOLD ON LOCALIZED GOLD PLATE AREA, GOLD FLASH IN CRIMP AREA, BOTH OVER 1.27 μm [.000050] MIN NICKEL ON ENTIRE CONTACT.
- ⚠ 0.38 μm [.000015] MIN GOLD ON LOCALIZED GOLD PLATE AREA, GOLD FLASH IN CRIMP AREA, BOTH OVER 1.27 μm [.000050] MIN NICKEL ON ENTIRE CONTACT.



⚠ 5	1-487547-2
⚠ 4	1-487547-1
⚠ 2	487547-9
⚠ 1	487547-1
FINISH	PART NUMBER

THIS DRAWING IS A CONTROLLED DOCUMENT.

DIMENSIONS: mm [INCHES]	TOLERANCES UNLESS OTHERWISE SPECIFIED:	DIN L/SIPE 05/05/92	5-13-92	Tyco Electronics Corporation Harrisburg, PA 17105-3608
0 PLC ± -	1 PLC ± -	2 PLC ± 0.13 [.005]	3 PLC ± 0.013 [.0005]	4 PLC ± -
ANGLES ± -	SEE TABLE	PRODUCT SPEC 108-16022	APPLICATION SPEC 114-16008	SIZE A1
MATERIAL 0.216 [.0085] THICK	FINISH SEE TABLE	WEIGHT -	00779	487547
CUSTOMER DRAWING		SCALE 20:1	SHEET 1 OF 1	REV M